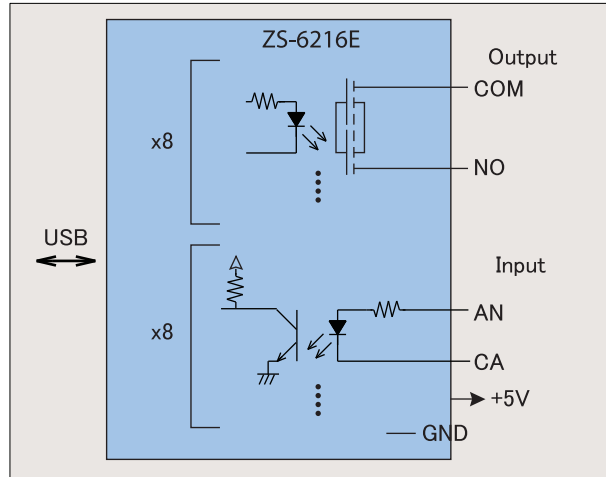


RoHS **USB Adapter**

ZS-6216E

This unit is a compact size, MOS relay output and photocoupler input are built-in. This unit is possible to be easily controlled from a PC.

Appearance



Features

- Compliant with USB 2.0 standard
- Photo MOS relay output x 8
- Photocoupler input x 8
- +5V power supply supplied from USB
- Small size
- Reasonable price

Connector table

Signal	Pin	No	Signal
IN1 (AN)	1	20	IN1 (CA)
IN2 (AN)	2	21	IN2 (CA)
IN3 (AN)	3	2	IN3 (CA)
IN4 (AN)	4	23	IN4 (CA)
IN5 (AN)	5	24	IN5 (CA)
IN6 (AN)	6	25	IN6 (CA)
IN7 (AN)	7	26	IN7 (CA)
IN8 (AN)	8	27	IN8 (CA)
	9	28	
OUT1 (COM)	10	29	OUT1 (NO)
OUT2 (COM)	11	30	OUT2 (NO)
OUT3 (COM)	12	31	OUT3 (NO)
OUT4 (COM)	13	32	OUT4 (NO)
OUT5 (COM)	14	33	OUT5 (NO)
OUT6 (COM)	15	34	OUT6 (NO)
OUT7 (COM)	16	35	OUT7 (NO)
OUT8 (COM)	17	36	OUT8 (NO)
	18	37	GND
+5V	19		

Specifications

Relay : TLP3215 or equivalent  
 ON resistor : 1.5Ω or less  
 Rated load : 40V 300mA  
 Operation time : 500μs or less  
 Recovery time : 500μs or less  
 Photocoupler : PS2911-1-A/K or equivalent  
 Input voltage : DC5 to 24V  
 USB connector : USB 2.0 maicro-B (Female)  
 Data connector : D-SUB 37 pin connector (Female)  
 Power supply : USB bus power,  
 DC4.75 to 5.25V 100mA or less  
 Environment of usage : Temperature 0 to 50°  
 Humidity 85% or less  
 Strage temperature : -20 to 80°  
 Size : 76 (w) x 16 (H) x 52 (D) mm  
 OS : Windows 7, 10  
 USB cable ( optional ) : KU-SLAMCB 10,  
 USB A micro-B 1m

Please download User's manual and USB driver from our website ( <http://www.zenisu.co.jp> )