


It is an easy-to-use USB adapter based on the achievements of GP-IB and RS-232C adapter.
The PC becomes an FA controller without interface expansion.

USB Adapter

ZS-6220P/T/H

It is possible to connect to the USB interface of Windows PC and perform parallel signal data communication such as BCD.

ZS-6220P



Printed circuit board type.
It is useful for built-in.

+5V 400mA
150(W)x30(H)x100(D) mm
about 150g

Accessory : DC Input Cable
Data Connector : 50core FC x 2

ZS-6220T



Small case built-in type

+5V 400mA
130(W)x32(H)x160(D) mm
about 900g

Accessory : DC Input Cable
Data Connector : 50core FC x 2

ZS-6220H



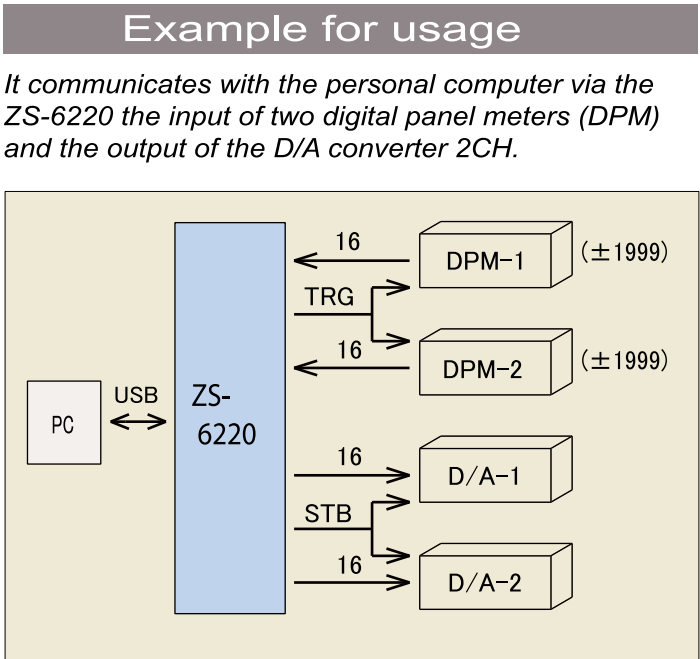
Half size case built-in JIS rack.
There is a space for expansion board.

AC100V 10VA
215(W)x49(H)x252(D) mm
about 1.8kg

Accessory : AC Code x 1
Data Connector : 57-40500 x 2

Features

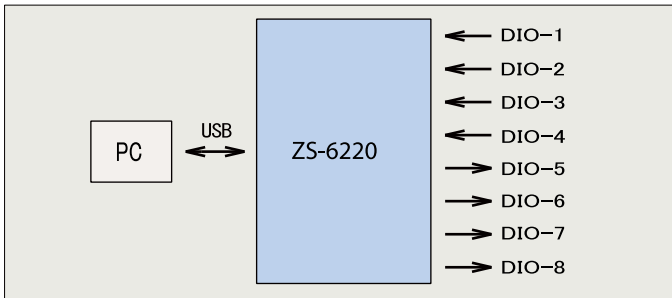
- It is easy to connect with a PC.
It is possible to easily expand multiple units using HUB.
- I/O can be assigned in byte(8bits) units.
- Data code is available to select by BCD or HEX for units of 4bits.
- Output is possible to be set in byte or bit units.
- Control lines such as strobe and trigger are prepared.
- The following settings can be made with the DIP switch.
 - ◎ I/O assignment
 - ◎ Selection of data code
 - ◎ I/O data positive / negative logic
 - ◎ Control signal positive / negative logic



Both I/O can be selected

ZS-6220 supports parallel I/O signals, up to 8bytes. Select input and output by DIP switch in byte unit.

e.g) When ZS-6220 is used for 4 byte input and 4 byte output as below.

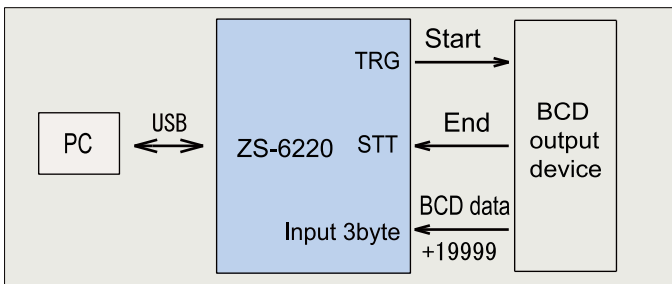


Operation mode

There are two ways of acquiring parallel data as follows.

1. Receive "S" command to output parallel data from the personal computer.
2. Receive the START pulse signal output from the connected device and capture the parallel data.

e.g) Receiving the end signal of the measuring instrument to capture data.



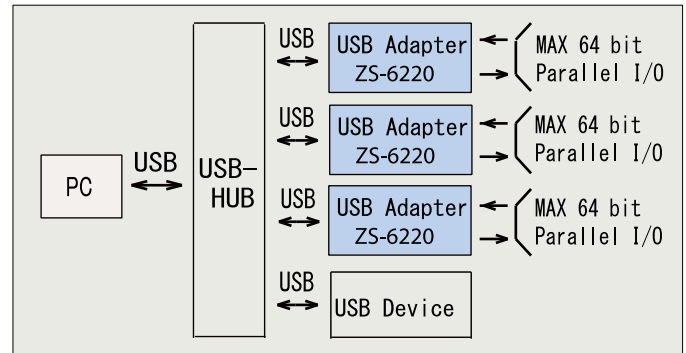
Data code is available to select by BCD or HEX

Parallel data is divided into 4bit units, it is converted to ASCII code, and data is exchanged with USB. Depending on the setting of the DIP switch, the ASCII code is possible to select HEX or BCD as shown in the table below.

4 bit parallel data				USB	
8	4	2	1	HEX	BCD
0	0	0	0	0	0
0	0	0	1	1	1
0	0	1	0	2	2
0	0	1	1	3	3
0	1	0	0	4	4
0	1	0	1	5	5
0	1	1	0	6	6
0	1	1	1	7	7
1	0	0	0	8	8
1	0	0	1	9	9
1	0	1	0	A	*
1	0	1	1	B	/
1	1	0	0	C	.
1	1	0	1	D	E
1	1	1	0	E	-
1	1	1	1	F	+

Multiple connection is available

Since the serial number is set for each ZS-6220, it is possible to control multiple ZS-6220 with one personal computer.



Control signal

The control signals shown in the table below are prepared that the USB adapter can synchronize with the connected device.

Signal name	Signal		Description
	Direction	Type	
UAR	OUT	L	START pulse receivable. It is possible to select P/N logic.
EAR	IN	L	Connected device is available to receive data. It is possible to select P/N logic.
STB	OUT	P	Complete all data reception from USB. It is possible to select P/N logic. Pulse width 100us
STT	IN	P	Data ready signal from connected device. Pulse width 100us or more.
TRG	OUT	P	Output by "G" command. Pulse width 100us.
CLR	OUT	P	Clear signal by "L" command. Pulse width 100us.

Note) P: Pulse signal L: Level signal

Specifications

Compliant with USB standard 2.0

Amount of data: 64bit (8byte)

I/O can be set in byte units

I/O level: TTL signal(equivalent to IC SN74ABT245)

Pull Up or Pull Down can be selected

Control output: UAR, STB, TRG, CLR

Control input: EAR, STT

Connector: 50core FC connector

OS: Windows 2000/WindowsXP(SP2~)

Windows Vista(32/64bit)

Windows 7(32/64bit)

Windows 8/8.1(32/64bit)

Windows 10(32/64bit)

Mac OSX / Linux

Please download the User's manual, driver software from our website.
<http://www.zenisu.co.jp>

Option

USB Cable: KU20-15HK

A male - B male Gold plating connector 1.5m

USB 2.0 standard certified.

Please contact us as there are other length.



Zenisu Keisoku

Zenisu Keisoku, Inc.

Zip code: 183-0027

2-13-37, Honmachi, Fuchu, Tokyo, Japan

TEL: +81-(0)42-368-2126

FAX: +81-(0)42-364-0067

Specifications and appearance are subject to change without notice due to continual improvements.