

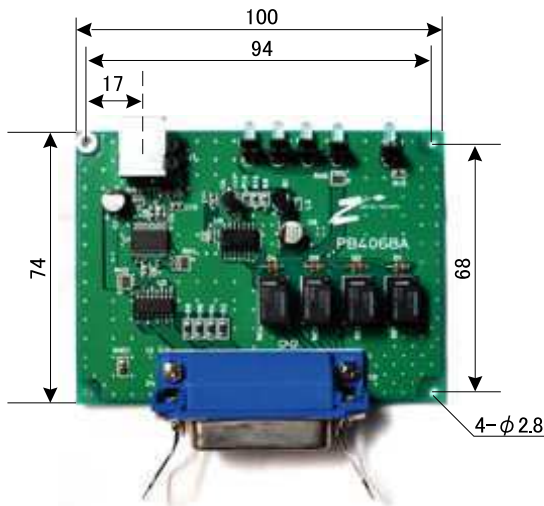
*It is an easy-to-use USB adapter based on the achievements of GP-IB and RS-232C adapter.
The PC becomes an FA controller without interface expansion.*

USB Adapter ZS-6224P/S

Compliant with RoHS

It is a compact USB adapter that can be easily controlled from a personal computer. Relay contact output and hoptocoupler input are built in.

ZS-6224P



*Printed circuit board type.
It is useful for built-in.*

100x74x20(H)mm
about 70g

ZS-6224S



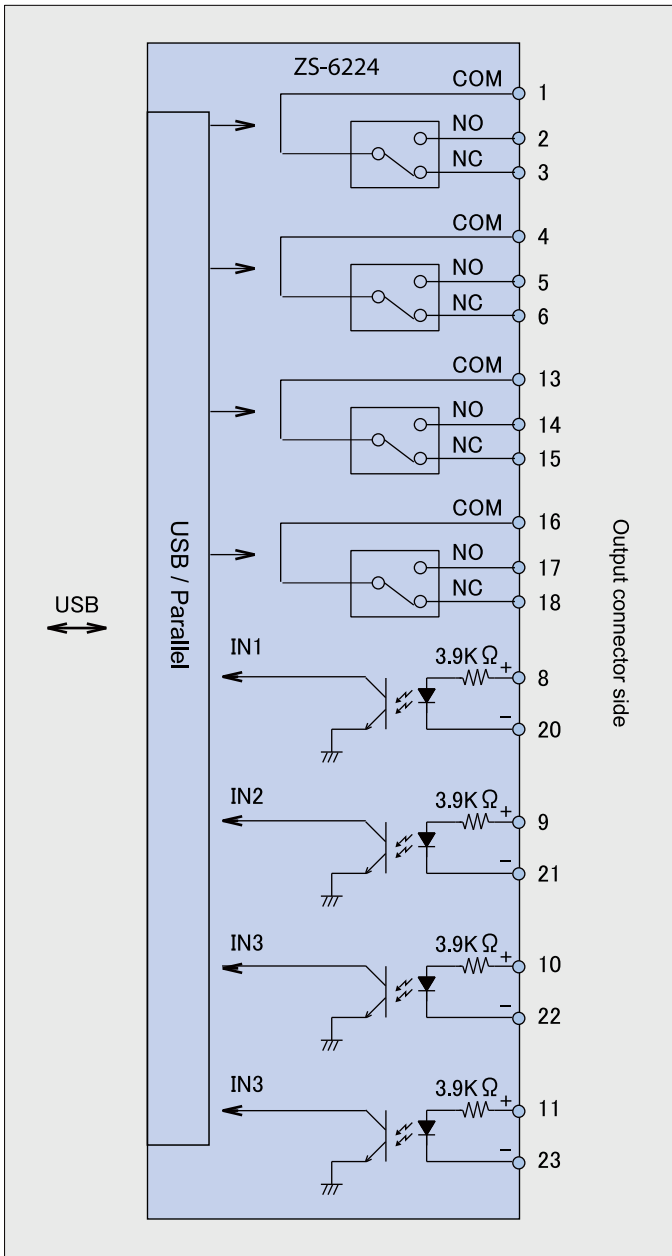
Small case built-in type

110x80x30(H)mm
180g or less

Features

- Compliant with USB2.0 standard
- Power supply (+5V) from USB
- Relay output: 4 contacts
- Photocoupler input: 4 bits
- Small size
- Value pricing

Diagram



Connector table

57LE-40240-7700-FA (DDK)

Signal	Pin Number		Signal
Relay 1 COM	1	13	Relay 3 COM
Relay 1 NO	2	14	Relay 3 NO
Relay 1 NC	3	15	Relay 3 NC
Relay 2 COM	4	16	Relay 4 COM
Relay 2 NO	5	17	Relay 4 NO
Relay 2 NC	6	18	Relay 4 NC
GND	7	19	GND
Photocoupler 1 IN+	8	20	Photocoupler 1 IN-
Photocoupler 2 IN+	9	21	Photocoupler 2 IN-
Photocoupler 3 IN+	10	22	Photocoupler 3 IN-
Photocoupler 4 IN+	11	23	Photocoupler 4 IN-
GND	12	24	GND

Specifications

Compliant with USB standard 2.0
 Relay: Output 4 contact, equivalent to G5V-1 (OMRON)
 Contact maximum voltage: DC 60V, AC 125V
 Contact maximum current 1A
 Photocoupler: Input 4 bit, PS2801-4 (NEC) or equivalent
 Input power: DC 5 to 24V
 Connector: 24pin amphenol, 57LE-40240-7700-FA(DDK) or equivalent
 Power supply: DC 5V less than 250mA
 Accessory: Amphenol connector 57-30240 (DDK) or equivalent
 OS: Windows 2000/WindowsXP(SP2~)
 Windows Vista(32/64bit)
 Windows 7(32/64bit)
 Windows 8/8.1(32/64bit)
 Windows 10(32/64bit)
 Mac OSX / Linux

Please download the User's manual, driver software from our website.
<http://www.zenisu.co.jp>

Other USB adapter

- ZS-6220 Convert 64 bit DIO to USB
- ZS-6222 Convert 32 bit DIO to USB
- ZS-6225 4 bit MOS relay, a contact, 4 bit input
- ZS-6226 4 bit MOS relay, ab contact, 4 bit input

Option

USB Cable: **KU20-1HK**
 A male - B male Gold plating connector 1.m
 USB 2.0 standard certified.
 Please contact us as there are other length.



Zenisu Keisoku, Inc.

Zip code: 183-0027
 2-13-37, Honmachi, Fuchu, Tokyo, Japan
 TEL: +81-(0)42-368-2126
 FAX: +81-(0)42-364-0067

Specifications and appearance are subject to change without notice due to continual improvements.