

The PC becomes an FA controller without interface function.

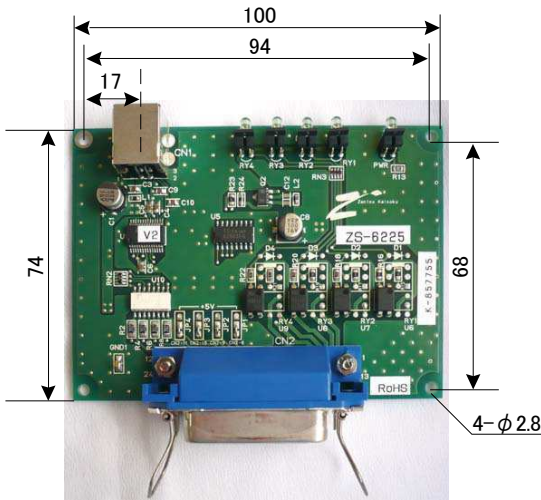
USB Adapter

ZS-6225P/S

Compliant with RoHS

It is a compact USB adapter that has built-in photocoupler input and can be easily controlled from a personal computer.

ZS-6225P



Printed circuit board type

100x74x20 (H) mm
70g

ZS-6225S



Back side view

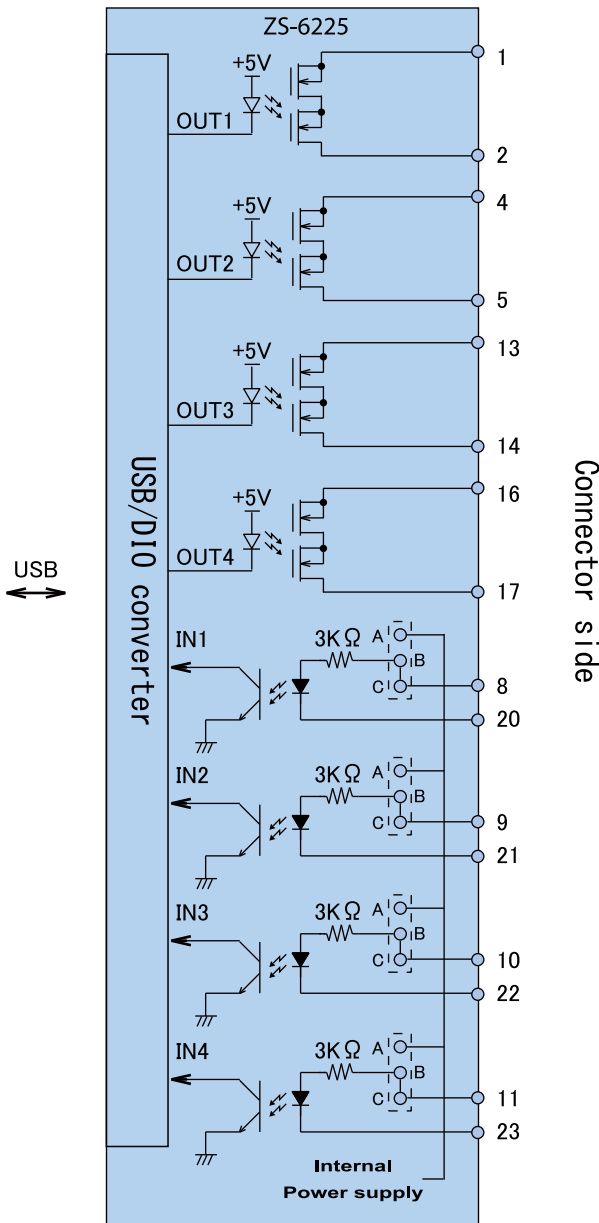
Small case built-in type

110x80x30(H)mm
180g or less

Feature

- Compliant with USB 2.0 standard
- Power supply +5V from USB
- Photo MOS relay output 4 circuit
- Photocoupler input 4bit
- Small and easy to use
- Value pricing

Diagram



Short circuit between B and C is standard.
Short circuit between A and B is also possible by designation

Other USB adapter

- ZS-6220: It can be converted I/O to USB up to DIO64 bits.
- ZS-6222: It is possible to be converted DIO32 bit to USB.
- ZS-6225: 4bit MOS relay a-output, 4bit input.
- ZS-6226: 4bit MOS relay ab-output, 4bit input.

Connector

57LE-40240-7700-FA or equivalent

Signal	Pin No	Signal
MOS Relay1_COM	1	MOS Relay3_COM
MOS Relay1_NO	2	MOS Relay3_NO
	3	15
MOS Relay2_COM	4	MOS Relay4_COM
MOS Relay2_NO	5	MOS Relay4_NO
	6	18
GND	7	GND
Photocoupler1_IN+	8	Photocoupler1_IN-
Photocoupler2_IN+	9	Photocoupler2_IN-
Photocoupler3_IN+	10	Photocoupler3_IN-
Photocoupler4_IN+	11	Photocoupler4_IN-
GND	12	GND
		24

Specification

Compliant with USB2.0 standard
Photocoupler input:
Input 4-bit, Current limit resistor 3kΩ
Withstand voltage 1000V (25000rms)
Photo MOS relay output:
Output 4 contact, AQY211EH or equivalent
Open maximum voltage 30V
Load current maximum 1A
I/O withstand voltage maximum 1000V
ON resistor 0.25Ω
Connector: 24pin amphenol
57LE-40240-7700-FA or equivalent
Power supply: DC5V 250mA or less
Accessory: Amphenole connector
57-30240 or equivalent
OS: Windows2000/WindowsXP(SP2~)
WindowsVista(32/64bit)
Windows7(32/64bit)
Windows8/8.1(32/64bit)
Windows10(32/64bit)
MacOSX / Linux

Please download USB driver and User's manual from our website.
<http://www.zenisu.co.jp>

Option

USB cable: KU20-15HK
A male- B male Gold plating connector 1.5m
USB 2.0 standard certification

Please contact us as there are other length.



Zenisu Keisoku, Inc.

Zip code: 183-0027
2-13-37, Honmachi, Fuchu, Tokyo, Japan
TEL: +81-(0)42-368-2126
FAX: +81-(0)42-364-0067

Specification and appearance are subject to change without notice due to continual improvements.