

The PC becomes an FA controller without interface function.

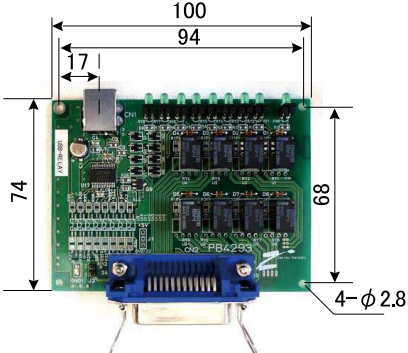
USB Adapter

ZS-6228P/S


Compliant with RoHS

ZS-6228P/S is a compact USB/DIO conversion adapter that can be easily controlled from a PC with 8 transfer contact outputs, 8 photo MOS outputs and 8 photocoupler input specifications.


ZS-6228P-8R



ZS-6228P-8M




ZS-6228P-8N



Printed circuit board type

100x74x20 (H) mm
70g

ZS-6228S




Back side view

Small case built-in type

110x80x30(H)mm
180g or less

Feature

- Compliant with USB 2.0 standard.
- Power supply +5V from USB
- 8 transfer relay outputs
: ZS-6228P/S-8R
- 8 photo MOS relay outputs
: ZS-6228P/S-8M
- 8 photo coupler inputs
: ZS-6228P/S-8N
- Small and easy to use
- Value pricing

Option

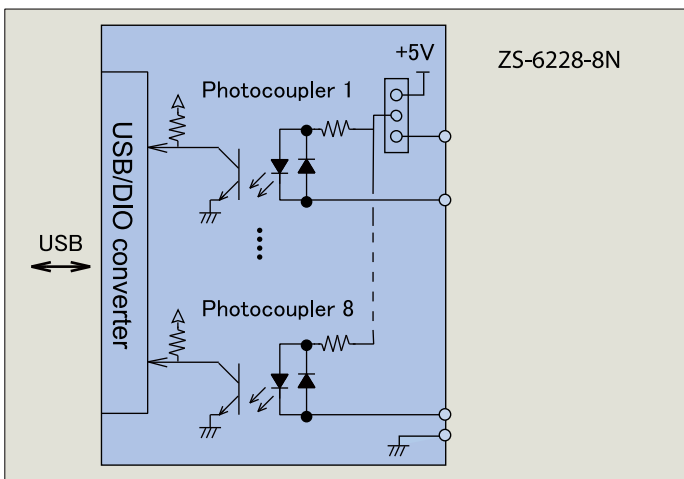
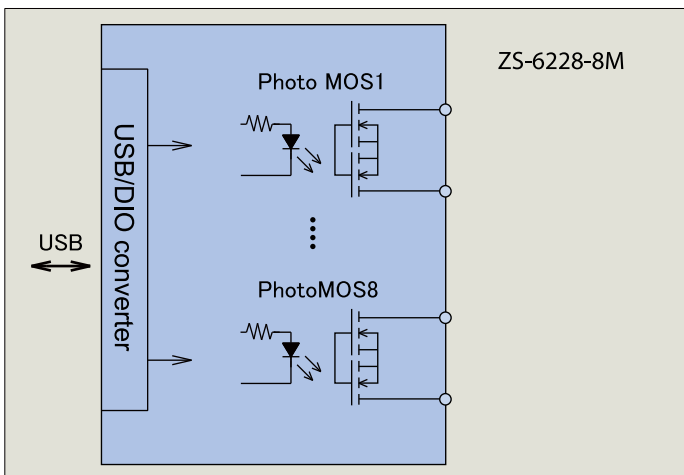
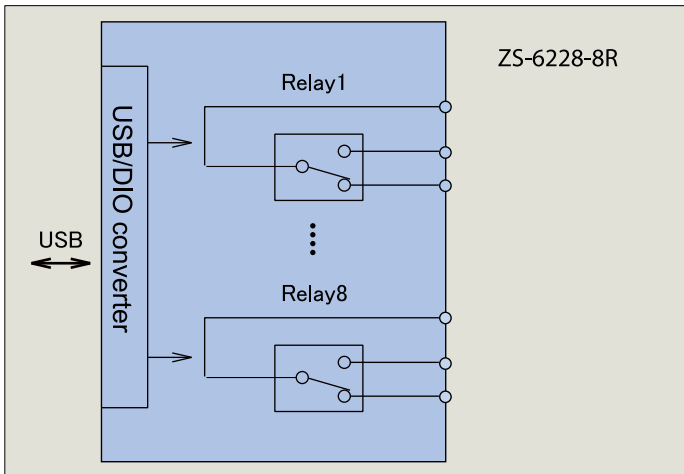
USB cable: KU20-1H
A male - B male GOLD plating connector 1m
USB 2.0 standard certification

Please contact us as there are other length.

Please download USB driver and User's manual from our website.

<http://www.zenisu.co.jp>

Diagram



Connector

ZS-6228P/S-8R

Signal	Pin No	Signal
Relay 1_COM	1	Relay 5_COM
Relay 1_NO	2	Relay 5_NO
Relay 1_NC	3	Relay 5_NC
Relay 2_COM	4	Relay 6_COM
Relay 2_NO	5	Relay 6_NO
Relay 2_NC	6	Relay 6_NC
Relay 3_COM	7	Relay 7_COM
Relay 3_NO	8	Relay 7_NO
Relay 3_NC	9	Relay 7_NC
Relay 4_COM	10	Relay 8_COM
Relay 4_NO	11	Relay 8_NO
Relay 4_NC	12	Relay 8_NC

ZS-6228P/S-8M

Signal	Pin No	Signal
Phto MOS1 Drain1	1	Phto MOS5 Drain1
Phto MOS1 Drain2	2	Phto MOS5 Drain2
NC.	3	NC.
Phto MOS2 Drain1	4	Phto MOS6 Drain1
Phto MOS2 Drain2	5	Phto MOS6 Drain2
NC.	6	NC.
Phto MOS3 Drain1	7	Phto MOS7 Drain1
Phto MOS3 Drain2	8	Phto MOS7 Drain2
NC.	9	NC.
Phto MOS4 Drain1	10	Phto MOS8 Drain1
Phto MOS4 Drain2	11	Phto MOS8 Drain2
NC.	12	NC.

ZS-6228P/S-8N

Signal	Pin No	Signal
NC.	1	NC.
Photocoupler 1-IN	2	Photocoupler 5-IN
NC.	3	NC.
NC.	4	NC.
Photocoupler 2-IN	5	Photocoupler 6-IN
NC.	6	NC.
NC.	7	NC.
Photocoupler 3-IN	8	Photocoupler 7-IN
NC.	9	NC.
NC.	10	Ext IN (V or GND)
Photocoupler 4-IN	11	Photocoupler 8-IN
NC.	12	GND

Common specification

Compliant with USB 2.0 standard
 Power supply: DC5V 250mA or less
 OS: Windows 2000/Windows XP(SP2~)
 WindowsVista(32/64bit)
 Windows7(32/64bit) Window8(32/64bit)
 Connector: 24pin amphenol
 57LE-4024-7700-FA or equivalent
 Accessory: Amphenol connector
 57-30240 or equivalent

Specification

ZS-6228P/S-8R
 8 transfer contact output: G5V-1
 Maximum voltage: DC60V AC125V
 Maximum current: 1A
 ZS-6228P/S-8M
 8 photo MOS relay output: AQY211EH
 Load voltage: 30V (peak AC)
 Continuous load current: 1A (peak AC)
 ZS-6228P/N-8N
 8 photocoupler input: TLP290-1
 Input voltage: DC5V to 24V



Zenisu Keisoku, Inc.

Zip code: 183-0027 Address: 2-13-37, Honmachi, Fuchu, Tokyo, Japan
 TEL: +81-(0)42-368-2126
 FAX: +81-(0)42-364-0067

Specifications and appearance are subject to change without notice due to continual improvements.