

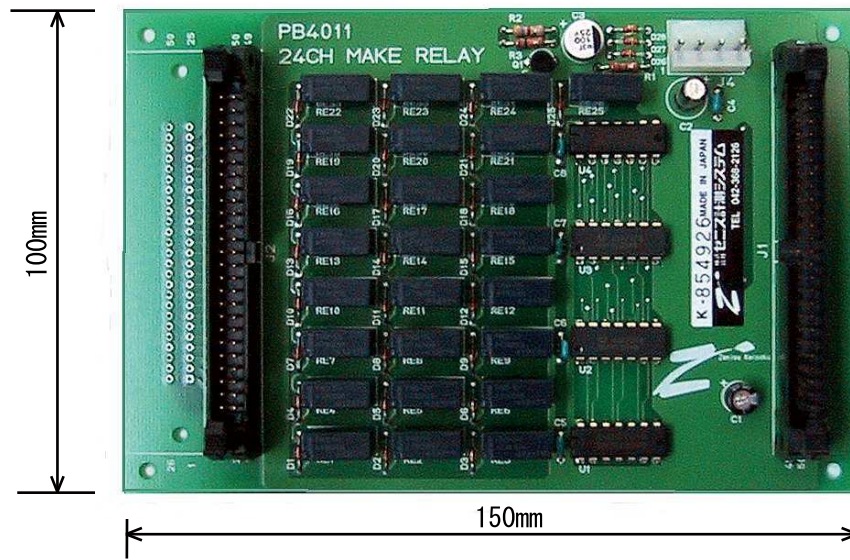


24-relay output board

ZS-7211P

It converts a 24-bit digital signal to a relay contact signal.

By using this interface board, it is possible to be achieved insulation between circuits, level conversion, expansion of control capacity, and improvement of noise resistance.



ZS-7211P-P11

Feature

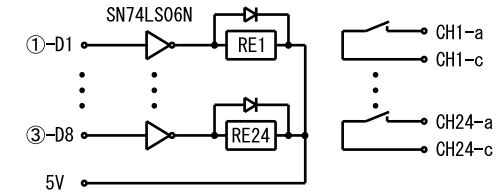
- Independent make contact output.
- When turning on the power supply, there is a circuit that isolates the coil voltage while the input level is indeterminate about 100ms.
- Pull up resistor is added to the input side, it can be correspond to open connector output.
- Relay drive signal can be directly connected to our products GP-IB adapter series.

Circuit bit number	24
Output connector	57LE-40500 or equivalent
Power supply	+5V or +12V or +24V
Size	It needs both input side and output side 150x100 height 30mm or less
Weight	180g or less

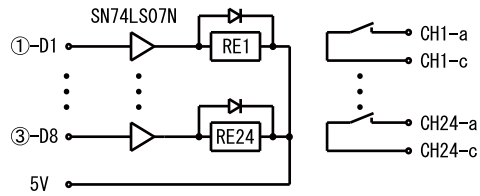
Related products

- ZS-7220P : 32-bit isolator output board
- ZS-7200P : Postcard size universal board
- ZS-612x : GP-IB adapter series
- ZS-6130B : RS-232C adapter series
- ZF-8810F : 50 pin pressure contact relay terminal
- ZF-8820F : 50 pin screw type relay terminal

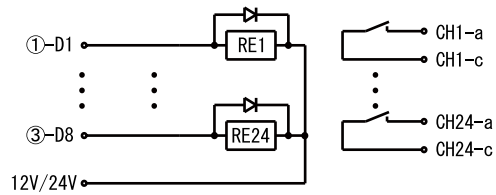
Diagram



TTL positive logic
(ZS-7211P-P 11, ZS-7211P-P 31)



TTL negative logic
(ZS-7211P-N 11, ZS-7211P-N 31)



TTL negative logic
(12V type ZS-7211P-N 12, ZS-7211P-N 32)
(24V type ZS-7211P-N 13, ZS-7211P-N 33)

Product type

For the ZS-7211p, specify the TTL positive/negative logic, the shape of the output side connector and the voltage with the last three letters.

- 1: Output side connector FAP-5001-1204 or equivalent
3: Output side connector 57LE-40500 or equivalent

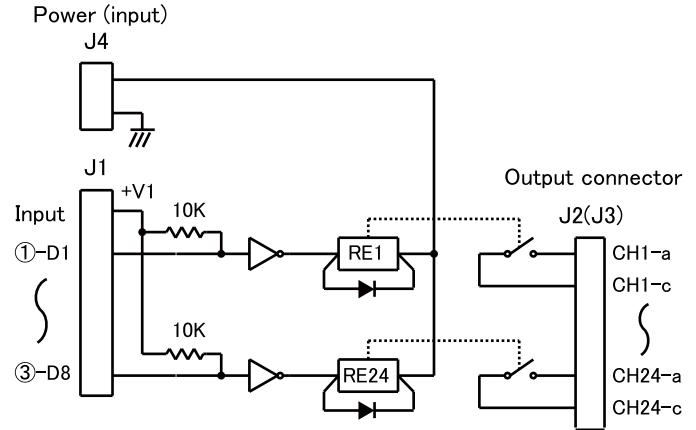
P: Positive logic
N: Negative logic

ZS-7211P-XYZ

Input side voltage
(Relay coil)
1: + 5V
2: +12V
3: +24V

- X: P is positive logic. Relay ON at signal input voltage more than 2.4V and less than 5V.
X: N is negative logic. Relay ON at signal input voltage less than 0.8V.
Y: 1 is the output side connector FAP-5001-1204 or equivalent
Y: 3 is the output side connector 57LE-40500 or equivalent
Z: 1 is the relay coil voltage 5VDC
Z: 2 is the relay coil voltage 12VDC, directly driven from outside.
Z: 3 is the relay coil voltage 24VDC, directly driven from outside.

Diagram



- J1 : Input connector FAP-5001-1204-0BF or equivalent
J2 : Connector FAP-5001-1204-0BF or equivalent
J3 : Connector 57LE-40500-7700(D3) or equivalent

Specification

Amount of circuits: 24

Relay drive:

TTL level 5V: ZS-7211P-P11, -P31, -N11, -N31

Direct drive 12V: ZS-7211P-N12, -N32

Direct drive 24V: ZS-7211P-N13, -N33

Power supply: 5V 850mA, 12V 300mA, 24V 210mA

It needs both I/O side

Relay: ATN series

Relay contact capacity: 0.5A AC125V, 1A DC30V

Contact resistance: 60mΩ or less

Connector:

Input side FAP-5001-1204-0BF or equivalent

Output side FAP-5001-1204-0BF or equivalent

57LE-40500 or equivalent

Size: 150x100x30(mm)

Mounting dimension: 140x90mm pitch, 4·φ3.5

Weight: 130g or less

Option

GP-IB Adapter

ZS-6120B Series: Convert I/O up to parallel 64-bits to GP-IB

ZS-6122B Series: Input 16-bits, Output 16-bits

ZS-6123A Series:

ZS-6125 Series: I/O data 8-bytes



Zenisu Keisoku, Inc.

Zip code: 183-0027

2-13-37, Honmachi, Fuchu, Tokyo, Japan

TEL: +81-(0)42-364-0067

FAX: +81-(0)42-364-0067

Specifications and appearance are subject to change without notice due to continual improvements.