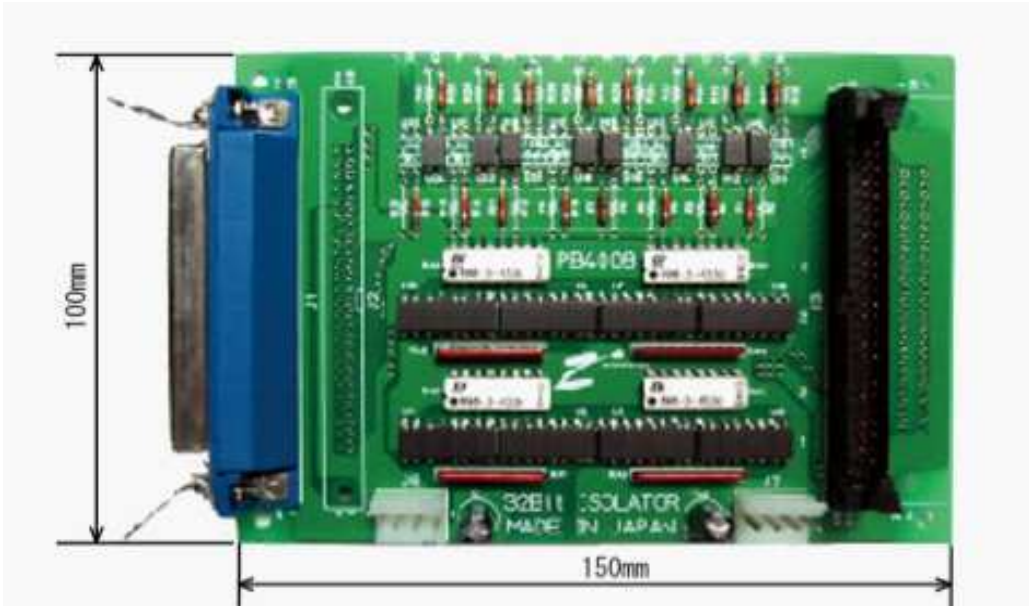




32-bit isolate input circuit board

ZS-7220P

This interface board outputs the parallel signal of the control circuit is isolated by an optoisolator. By using this interface board, it is possible to realize insulation between circuits, level conversion and noise resistance improvement.



Feature

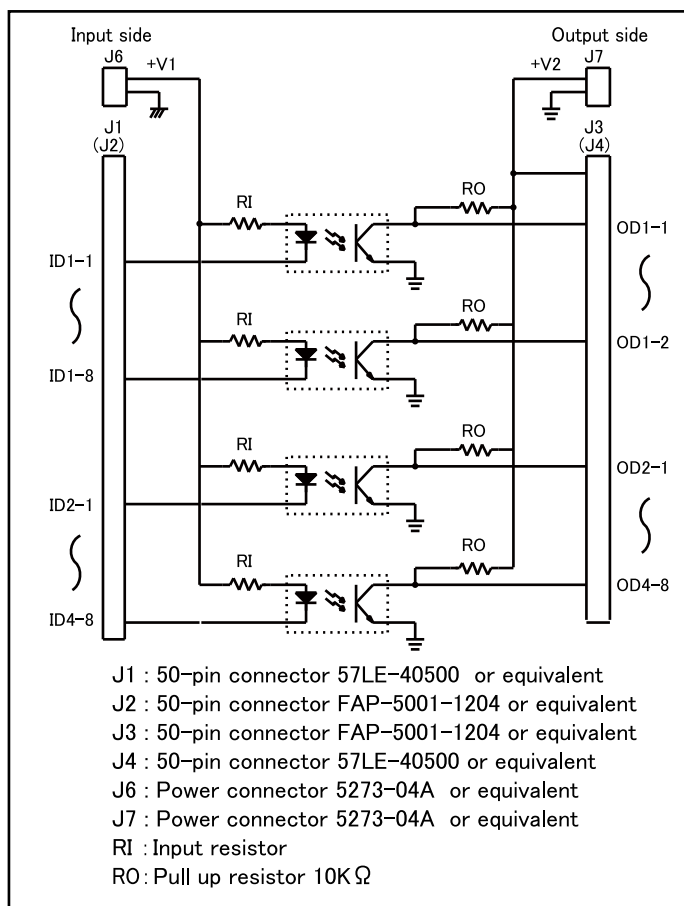
- There is a model corresponding to the voltage.
- It is possible to be selected amphenol 57-40500 or 50-pin connector for flat cable.
- Output signal is possible to be easily connected with our products GP-IB adapter series, it is insulated the control signal with the computer, and can be a noise-resistant system.
- It is provided 8-bit control signals which can be for freely assigning inputs and outputs.

Circuit bit number	32
Input side connector	57LE-40500 or equivalent
Power supply	+5V or 12V or 24V
Size	It needs both input side and output side. 150x100 (mm) height 30mm or less
Weight	180g or less

Related product

- ZS-7221P : 32-bit isolator circuit board
- ZS-7211P : 24-relay output circuit board
- ZS-612x : GP-IB adapter series
- ZS-613x : RS-232C adapter series
- ZF-8810F : 50-pin pressure contact relay
- ZF-8820F : 50-pin screw type relay

Diagram



Product type

For the ZS-7220P, specify the power supply voltage, connector shape, presence or absence of resistor with the last two letters.

0: J1,J3 connector
 1: J2,J3 connector
 2: J1,J4 connector
 3: J2,J4 connector

ZS-7220P-XY

	Voltage	Pull-up resistor
0:	-	-
1:	+5V	10KΩ
2:	+12V	10KΩ
3:	+24V	10KΩ

Note) “-” is the user installed resistor

Note) When the voltage is specified +5V, +12V, +24V, attach a resistor corresponding to the specified voltage.

Note) For 10 KΩ resistor model, please use output voltage 24V or less.

Specification

Input side

Format: Current drive input (Optoisolator LED input)

Resistor: +5V (ZS-7220P-X1) → 330Ω

+12V (ZS-7220P-X2) → 1.2KΩ

+24V (ZS-7220P-X3) → 2.2KΩ

Current: 10mA (MAX 50mA)

Voltage: DC5V, 12V, 24V, DC100V or less by user installing the resistor. In case of arbitrary voltage, please select the resistor that the current on the input side is in the range of 10 to 20 mA.

Output side

Format: Open collector or pull-up 10KΩresistor

Voltage: 35VDC or less

Current: Sink current 3.2mA or less

Transfer characteristic

Insulation resistance: More than100MΩ, DC500V

Response time: 1ms or less

Current transfer ratio: Minimum 50% (IF=5mA,VCE=5V)

Collector saturation voltage: 0.4V or less

(IF=10mA,IC=5mA)

Size: 150x100x30(H)mm

Mounting dimension: 40x90mm pitch, 4•φ3.5

Accessory

I/O signal connector

Power connector

Note) Please prepare the power supply for both input side and output side by the user. However, when using output side connector J3 in connection with our product(adapter), it is supplied power +5V from adapter through the connector.

Option

The following products are available as optional boards.

ZS-7221P : 32-bit isolator output board.

ZS-7211P-P : 24-bit TTL input (positive logic)

ZS-7211P-N : 24-bit TTL input (negative logic)

Specification and appearance are subject to change without notice due to continual improvements.



Zenisu Keisoku, Inc.

Zip code: 183-0027

2-13-37, Honmachi, Fuchu, Tokyo, Japan

TEL: +81-(0)42-368-2126

FAX: +81-(0)42-364-0067