

BCD/HEX Indicator ZS-6720D

It is possible to be displayed A,b,C,d,E,F and 4 digits 0 to 9.

Usage: Dvice status display, counter.



Features

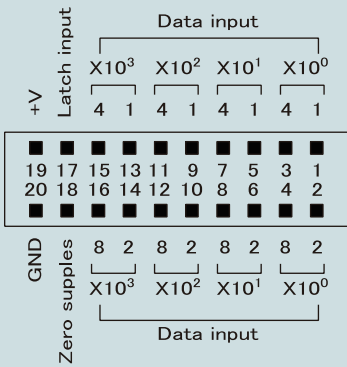
- * External control input is 4 digits parallel or digit serial.
- * BCD or HEX is possible to be displayed.
- * Positive / Negative logic is possible to be selected for input.
- * Decimal point position is selectable.
- * Transparent function. It is possible to be selected Hold or Through.
- * Zero suppression function with BCD eliminates unnecessary display digits.
- * The range of the power input is from DC4V to DC24V.
- * The range of signal input level is from DC3.3V to DC24V.
- * Display color is high brightness red.
- * Size is W48xH24xD60 mounting bracket included.
- * Character height is 10.16mm.

Connector

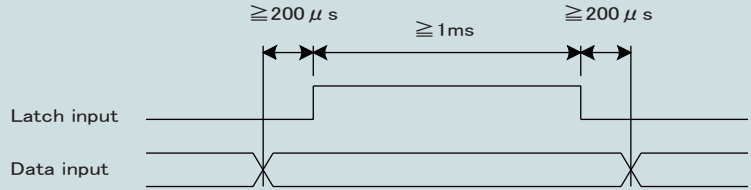
20-pin flat cable connector: FAS-2001-2101-0BF or equivalent.

Connector Signal

1, Conector signal at parallel input

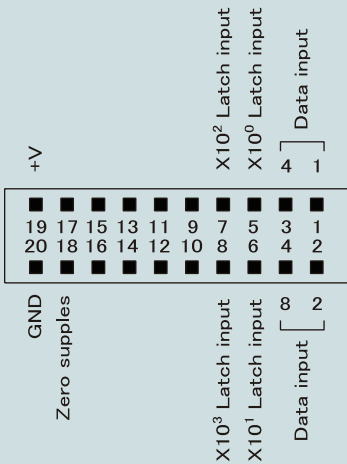


Through when Latch input is open

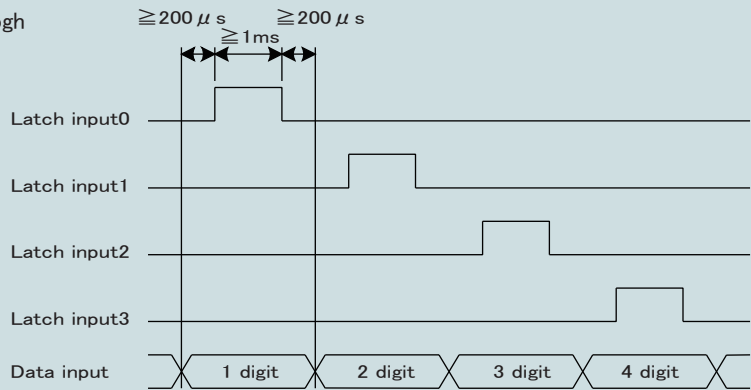


Zero suppress : low with zero suppression.

2, Connector signal at digital serial input.



Without throg



Zero suppress : low with zero suppression.

Designation of part number

Designation ZS-6720D-□□□
①②③

① Configuration

| Number | Logic | BCD/HEX |
|--------|----------|---------|
| 0 | Positive | BCD |
| 1 | | HEX |
| 2 | Negative | BCD |
| 3 | | HEX |

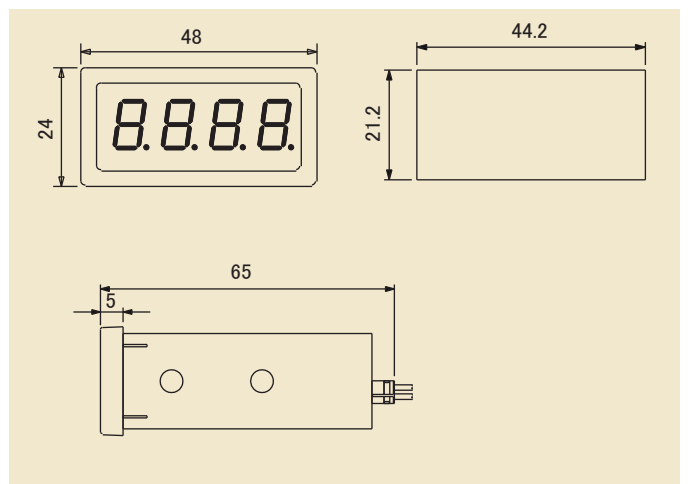
② Decimal point position

| Number | Position |
|--------|----------|
| 0 | None |
| 1 | XXX.X |
| 2 | XX.XX |
| 3 | X.XXX |

③ Input method

| Number | Input method |
|--------|-------------------|
| 0 | Digit serial |
| 1 | 4 digits parallel |

Size



Specification and appearance are subject to change without notice due to continual improvements.



Zenisu Keisoku, Inc.

Zip code: 183-0027
2-13-37, Honmachi, Fuchu, Tokyo, Japan
TEL: +81-(0)42-368-2126
FAX: +81-(0)42-364-0067